



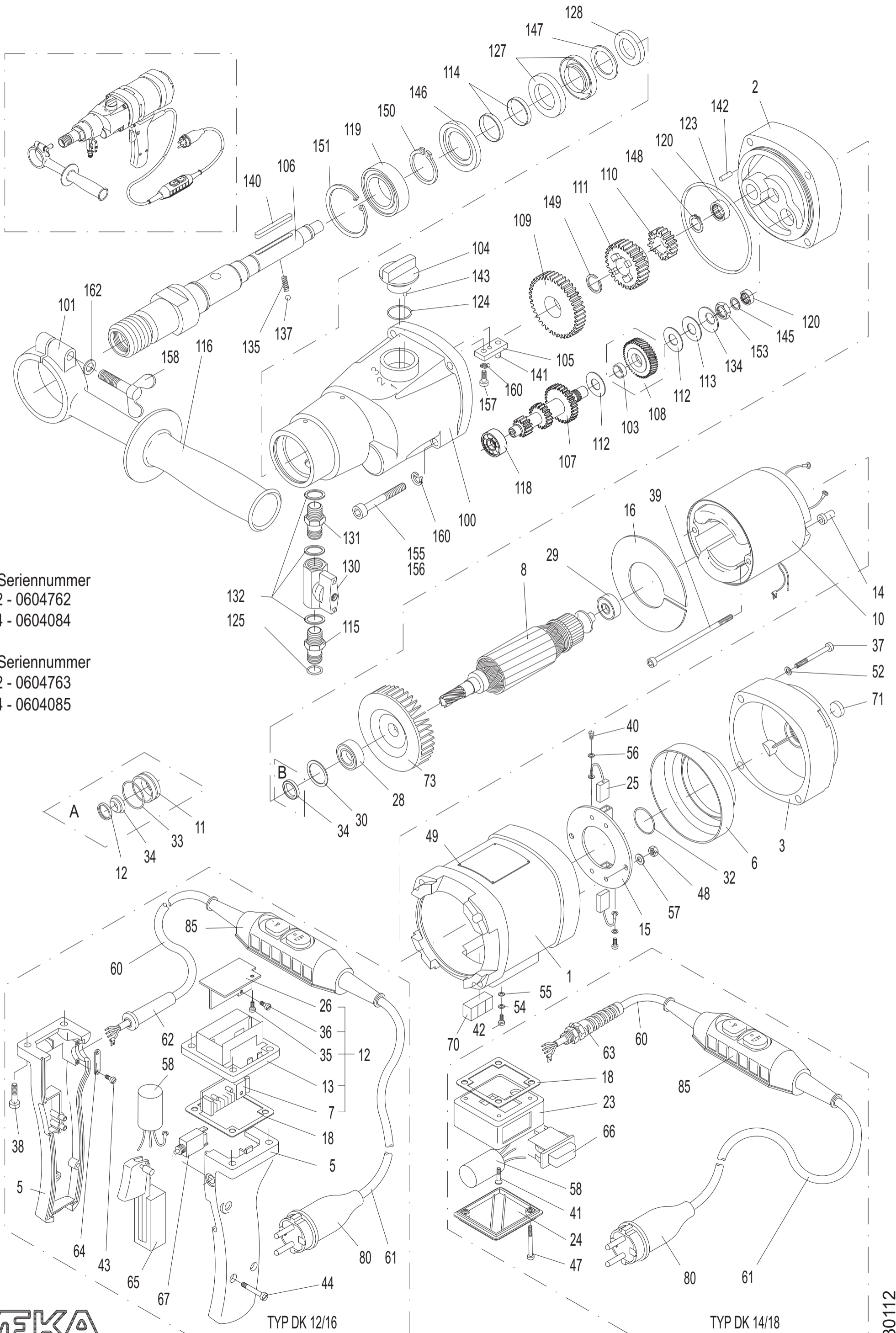
WEKA
PARTS LIST

MODEL
DK12 DK16

Jan 2014

Part #1802246

DIAMANT-KERNBOHRMASCHINE TYP DK 12/14/16/18



A: < Seriennummer
DK12 - 0604762
DK14 - 0604084

B: > Seriennummer
DK12 - 0604763
DK14 - 0604085

TYP DK 12/16

TYP DK 14/18

WEKA DK12 DK16

3/31/2014

Fig	Req	TYPE	DESCRIPTION	DP Part
1	1		Motor case	2700650
2	1		Intermediate Flange	2703238
3	1		Motor Top Hood w. Insulation Ring	2700652
5	1	DK12/16	Switch Handle 230 V	2701453
	1	DK12/16	Switch handle 110 V	2701452
6	1		Insulation Ring	2701197
7	1	DK12/14	Electronic Module 230V	2701383
	1	DK12/14	Electronic Module 110V	see #12
	1	DK16/18	Electronic Module 230V	2703455
	1	DK16/18	Electronic Module 110V	2704187
8	1	DK12/14	Armature with Fan and Bearings 230V	2703239
	1	DK12/14	Armature with Fan and Bearings 110V	2703240
	1	DK16/18	Armature with Fan and bearings 230V	2705205
	1	DK16/18	Armature with Fan and bearings 110V	2705206
10	1	DK12/14	Field 230V	2701335
	1	DK12/14	Field 110V	2700656
	1	DK16/18	Field 230V	2705207
	1	DK16/18	Field 110V	2705208
	1		Exchange Seal Bush	2703242
12	1	DK12/14	Electronic module completely sealed 230V	2705209
	1	DK12/14	Electronic module completely sealed 110V	2705210
	1	DK16/18	Electronic module completely sealed 230V	2705211
	1	DK16/18	Electronic module completely sealed 110V	2705212
13	1		Electronic Case 230V	2701354
14	2		Field screw insulating sleeve	2700659
15	1		Brush Holder Disc 230V	-
	1		Brush Holder Disc 110V	2700660
16	1		Air Conducting Disc	2700662
18	1		Terminal Case Packing	2701567
23	1	DK14/18	Terminal Case	2702244
24	1	DK14/18	Terminal Case Cover	2702241
25	2		Carbon Brush 230 V	2701336
	2		Carbon Brush 110 V	2700663
26	1		Cooling Profile	2701385
28	1		Ball Bearing	2700664
29	1		Ball Bearing	2700665
30	1		Compensation Washer	2700666
32	1		O-Ring RDR26x25	2700667
34	1		Rotary Shaft Seal RWD12x24x7	2703241
35	1		Th. Roll. Cheese Head Screw M4x8	2706217
36	1		Th. Roll. Cheese Head Screw M4x6	2701386
37	4		Hex. Soc. Head Screw M5x35	2700670
38	4	DK12/14	Hex. Soc. Head Screw M5x25	2701203
39	2		Fill. Head Screw M4x100	2700672
40	2		Fill. Head Screw M3x5	2700673
42	1		Sl. Pan Head Screw M4x6	2700674
43	2	DK12/14	Pan Head Tapping Screw 39x13	2702986
44	2	DK12/14	Pan Head Tapping Screw 39x19	2700676
47	2	DK14/18	Raised Cheese Head Screw M5x50	2702243
48	2		Hexagon Nut M4	2700677
49	4		Round Head grooved Pin 23x4	2701399
52	4		Locking Washer SM5	2700735
54	1		Curved Spring Washer A4	2700680
55	1		Medium Washer 43x8x05 Ms	2700681
56	2		Medium Washer 32x6x05 Ms	2700682
57	2		Medium Washer 43x9x1 Ms	2703456
58	1		Interference Suppression Capacitor	2700683
60	1		Cord 3AWG14x4 -w/molded plug for USA	2707774
62	1	DK12/16	Cord Sleeve	2700685
63	1	DK14/18	Cord Gland	2701451
64	1	DK12/16	Cord Clamping Piece	2700686
65	1	DK12/16	Motor Switch	2701454
66	1	DK14/18	Motor Switch 110 V	2701979

Fig	Req	TYPE	DESCRIPTION	DP Part
67	1	DK12/16	Motor Protective Switch 110 V	2700688
70	1		Tube Water-Level	2700690
71	1		Tin Water-Level	2700691
73	1		Fan	2700692
100	1		Gear Box	2700936
101	1	DK12/16	Clamp Ring incl. wing screw	2700693
103	1		Bearing Socket	2700699
104	1		Gear Change Grip	2700694
105	1	DK12/14	Gear Change Lever	2700695
	1	DK16/18	Gear Change Lever	2701925
106	1		Drilling Spindle cpl. with Pos. 114,135,137	2700696
	1		Tool Thread 1 1/4 + G 1/2	2701395
107	1	DK12/14	Pinion Shaft	2700697
	1	DK16/18	Pinion Shaft	2703451
108	1		Clutch Wheel	2700698
109	1	DK12/14	Gear Wheel 1	2700700
	1	DK16/18	Gear Wheel 1	2703452
110	1	DK12/14	Gear Wheel 3	2700701
	1	DK16/18	Gear Wheel 3	2703453
111	1	DK12/14	Slide Gear Wheel	2700702
	1	DK16/18	Slide Gear Wheel	2703454
112	2		Brake Disk	2700703
113	1		Pressure Disk	2700704
114	2		Protective Sleeve	2700643
115	1		Quick Connect Nipple	2700706
116	1	DK12/16	Handle	2700707
118	1		Ball Bearing 629	2700948
119	1		Ball Bearing 6005 2RS	2700708
120	2		Needle Bush HK1010	2700709
123	1		O-Ring RDR78x2	2700710
124	1		O-Ring RDR20x3	2700711
125	1		O-Ring RDR11x25	2700712
127	2		Rotary Shaft Seal AD24x40x7	2700713
128	1		Rotary Shaft Seal AD22x35x7	2700714
130	1		Ball Valve G1/4i/i	2700715
	1		Grip for Ball Valve	2700925
131	1		Double Nipple G1/4a	2700716
132	3		Sealing Ring G1/4	2700717
134	1		Disk Spring	2700718
135	1		Pressure Spring 05x32x16	2700719
137	1		Ball RB-4	2700720
140	1		Parallel Key A5x5x40	2701087
141	1		Parallel Pin 5m6x15	2701065
142	1		Parallel Pin 4m6x10	2700722
143	1		Parallel Pin 3m6x16	2700723
145	1		Shim Ring PS10x16x1	2700724
146	1		Supporting Ring	2700992
147	1		Shim Ring PS25x40x03	2701088
148	1		Retaining Ring AV14	2700726
149	1		Retaining Ring SW18	2700727
150	1		Retaining Ring 25x12	2700728
151	1		Retaining Ring 47x175	2700729
153	1		Hexagon Nut BM12x15	2700730
155	1		Hex. Soc. Head Screw M5x80	2700731
156	3		Hex. Soc. Head Screw M5x50	2700732
157	1		Hex. Soc. Head Screw M5x12	2700733
158	1	DK12/16	Wing Screw M6x40	2700734
160	5		Locking Washer SM5	2700735
162	1	DK12/16	Medium Washer A 6	2700736
	1		Pointing Sticker	2700737
	1		Gear Oil 160 ml	2700738
	1	DK12/16	Carrying Case	2701483

NOTES:

- **Slip torque** of clutch(*pinion shaft out of drill mounted in bench vise*) 12-14NM(8.8-10.3 ft-lbs)
- **Overall drill length w/drill spindle G 1/2"**(old style DK10206) w/5/8"-11 adapt. = **15.750"**
w/1-1/4"-7 adapt. = **16.750"**
- **Overall drill length w/drill spindle 1-1/4" + G 1/2"**(new style DK10206.3) = **16.000"**

EQUIPMENT AND PARTS WARRANTY

Diamond Products warrants all equipment manufactured by it against defects in workmanship or materials for a period of one (1) year from the date of shipment to Customer.

The responsibility of Diamond Products under this Warranty is limited to replacement or repair of defective parts at Diamond Products' Elyria, Ohio factory, or at a point designated by it, of such parts as shall appear to us upon inspection at such parts, to have been defective in material or workmanship, with expense for transportation and labor borne by Customer.

In no event shall Diamond Products be liable for consequential or incidental damages arising out of the failure of any Product to operate properly.

Integral units such as engines, electric motors, batteries, transmissions, etc., are excluded from this Warranty and are subject to the prime manufacturer's warranty.

THIS WARRANTY IS IN LIEU OF ALL OTHER WARRANTIES, EXPRESSED OR IMPLIED, AND ALL SUCH OTHER WARRANTIES ARE HEREBY DISCLAIMED.



333 Prospect Street, Elyria, Ohio 44035
(440) 323-4616 • (800) 321-5336 • Fax (440) 323-8689
www.diamondproducts.com